

12 Gauge Autoloading Shotgun



SUPER X[®] 2

IMPORTANT: When ordering, list part number, part name, gun gauge/caliber and serial number.
Please specify grade. Prices F.O.B. point of shipment — subject to change without notice. Prices effective January 1, 2013.

REF. NO.	PART NO.	DESCRIPTION	MSRP (US\$)
1	B111607301	ACTION SPRING	\$2.50
2	B111607502	ACTION SPRING PLUNGER	5.00
2	B1126087AP	ACTION SPRING PLUNGER, PRACTICAL	8.75
3	B111607401	ACTION SPRING RETAINER	2.50
4	B111607602	ACTION SPRING RETAINER PIN	1.25
5	* B111606812	ACTION SPRING TUBE	18.75
6	*** U111757404	BOLT ASSEMBLY, 12, 3", FIELD, HIGH POLISH	105.00
6	*** U1117578A1	BOLT ASSEMBLY, 12, 3", PRACTICAL, MATTE BLACK FINISH	105.00
6	*** U1117561EA	BOLT ASSEMBLY, 12, 3", SPORTING CLAYS, HIGH POLISH	105.00
6	*** U111758404	BOLT ASSEMBLY, 12, 3", STALKER, MATTE BLACK FINISH	105.00
6	*** U111759305	BOLT ASSEMBLY, 12, 3.5", FIELD, HIGH POLISH	105.00
6	*** U111760305	BOLT ASSEMBLY, 12, 3.5", STALKER, MATTE BLACK FINISH	105.00
7	* U1117533A9	BREECH BLOCK / SLIDE ASSEMBLY, 12, 3", FIELD, HIGH POLISH	110.00
7	* U111752804	BREECH BLOCK / SLIDE ASSEMBLY, 12, 3", STALKER, MATTE BLACK FINISH	110.00
7	* U1117959A9	BREECH BLOCK / SLIDE ASSEMBLY, 12, 3.5", FIELD, HIGH POLISH	110.00
7	* U1117931AJ	BREECH BLOCK / SLIDE ASSEMBLY, 12, 3.5", STALKER, MATTE BLACK FINISH	110.00
NS	U111737401	CANTILEVER BUFFER	3.75
NS	* U111737301	CANTILEVER	107.50
9	* U111770604	CARRIER ASSEMBLY, 12, 3", FIELD, HIGH POLISH	37.50
9	* U111770704	CARRIER ASSEMBLY, 12, 3", STALKER, MATTE BLACK FINISH	37.50
9	* U111770204	CARRIER ASSEMBLY, 12, 3.5", FIELD, HIGH POLISH	37.50
9	* U111770104	CARRIER ASSEMBLY, 12, 3.5", STALKER, MATTE BLACK FINISH	37.50
10	* U111772703	CARRIER DOG	11.25
11	B111628701	CARRIER DOG BUFFER, 12, 3.5"	3.75
12	B111628502	CARRIER DOG LOWER STOP	1.25
13	B111628002	CARRIER DOG RIVET	2.50
14	U111773601	CARRIER DOG SPRING	1.25
15	B111628201	CARRIER DOG SPRING GUIDE	2.50
16	B111628401	CARRIER DOG UPPER STOP	1.25
16A	U1117516EF	CARRIER LATCH, 12, 3"	25.00
16A	U1117511EF	CARRIER LATCH, 12, 3.5"	25.00
17	U1117923AA	CARRIER LATCH DAMPER	2.00
18	U111751702	CARRIER LATCH PIN	1.25
19	B111609611	CARRIER LATCH PIN CLIP	1.25
20	U111751801	CARRIER LATCH SPRING	2.50
21	U111772102	CARRIER PIN	5.00
22	U111772501	CARRIER PIN RETAINER	3.75
22A	U111750103	CARTRIDGE STOP	7.00
23	* U1117519EF	CARTRIDGE STOP / CARRIER LATCH ASSEMBLY, 12, 3"	37.50
23	* U1117512EF	CARTRIDGE STOP / CARRIER LATCH ASSEMBLY, 12, 3.5"	37.50
23A	B111614002	CARTRIDGE STOP PLUNGER / EXTRACTOR PLUNGER	1.25
24	U111750501	CARTRIDGE STOP SPRING	1.25

REF. NO.	PART NO.	DESCRIPTION	MSRP (US\$)
25	*** B111620503	DISCONNECTOR	\$2.50
26	*** B111620301	DISCONNECTOR SPRING / TRIGGER SPRING	3.75
26	*** B111620701	DISCONNECTOR SPRING / TRIGGER SPRING OLD STYLE	2.50
27	B111620602	DISCONNECTOR PIN	1.25
28	* B111658802	EJECTOR	2.50
29	* B111616403	EXTRACTOR	14.75
29	* B111616413	EXTRACTOR, PRACTICAL	15.00
30	B111616602	EXTRACTOR PIN	2.50
32	B111616301	EXTRACTOR SPRING	1.25
33	* U1117621E2	FIRING PIN, 12, 2.75", PRACTICAL	15.00
33	* U1117620J2	FIRING PIN, 12, 2.75", SPORTING CLAYS	11.75
33	* B111616812	FIRING PIN, 12, 3"	13.75
33	* B111616912	FIRING PIN, 12, 3.5"	13.75
34	B111617122	FIRING PIN RETAINER PIN	2.50
35	* B111617001	FIRING PIN SPRING	2.50
36	* U111783301	FOREARM, 12, 2.75", PRACTICAL	50.00
36	* U111781602	FOREARM, 12, 2.75", PRACTICAL (DT)	50.00
36	* U111783401	FOREARM, 12, 3", DEER / STALKER	50.00
36	* U1117841E7	FOREARM, 12, 3", DEER / STALKER (DT)	50.00
36	* U111781303	FOREARM, 12, 3", FIELD, GLOSS FINISH	50.00
36	* U111781503	FOREARM, 12, 3", NWTF, SATIN FINISH	50.00
36	* U1117819F3	FOREARM, 12, 3", SC SIGNATURE II, METALLIC BLACK	50.00
36	* U1117819FK	FOREARM, 12, 3", SC SIGNATURE RED (DT)	50.00
36	* U111781403	FOREARM, 12, 3", SPORTING CLAYS, SATIN FINISH	50.00
36	* U111781203	FOREARM, 12, 3.5", DU, SATIN FINISH	50.00
36	* U111783703	FOREARM, 12, 3.5", MAGNUM GREENHEAD (DT)	50.00
36	* U111783602	FOREARM, 12, 3.5", MOBU	50.00
36	* U1117839EP	FOREARM, 12, 3.5", MONBU (DT)	50.00
36	* U1117838EN	FOREARM, 12, 3.5", MONSG (DT)	50.00
36	* U1117838F1	FOREARM, 12, 3.5", MOOB (DT)	50.00
36	* U111783202	FOREARM, 12, 3.5", MOSG	50.00
36	* U111783101	FOREARM, 12, 3.5", STALKER	50.00
36	* U1117840E7	FOREARM, 12, 3.5", STALKER (DT)	50.00
NS	B111633411	FOREARM O-RING	1.25
NS	U111787002	FOREARM SPACER, PRACTICAL	63.75
37	*** B111619203	HAMMER	11.25
38	B111619403	HAMMER LINK	8.75
39	B111619702	HAMMER LINK PIN	2.50
39A	*** B111619802	HAMMER PLUNGER	2.50
39B	*** B111620001	HAMMER SPRING	1.25
39C	B111620102	HAMMER SPRING PLUNGER PIN	1.25
40	B1116129AJ	LINK	18.75
41	U111754702	LINK PIN	5.00
42	U111749202	MAGAZINE CAP, FIELD	25.00
42	U111749303	MAGAZINE CAP, FIELD (W/ SLING EYELET)	25.00
42	U111749602	MAGAZINE CAP, MOBU (W/ SLING EYELET)	25.00
42	U1117494F1	MAGAZINE CAP, MOOB	25.00
42	U111749402	MAGAZINE CAP, MOSG	25.00
42	U111749502	MAGAZINE CAP, PRACTICAL	25.00
42	U1117492F2	MAGAZINE CAP, SC SIGNATURE II	25.00

*Indicates part must be fitted by Winchester Repeating Arms Service Department or qualified gunsmith.

***Factory replacement only. Firearm must be returned. (DT) Denotes Dura-Touch Armor Coating

+Part may be purchased only by holders of current, valid Federal Firearms License.

NOTE: Unless otherwise indicated, part is interchangeable between gauges/calibers.

12 Gauge Autoloading Shotgun



SUPER X[®] 2

IMPORTANT: When ordering, list part number, part name, gun gauge/caliber and serial number.
Please specify grade. Prices F.O.B. point of shipment — subject to change without notice. Prices effective January 1, 2013.

REF. NO.	PART NO.	DESCRIPTION	MSRP (US\$)
42	U111749102	MAGAZINE CAP, STALKER / SC SIGNATURE RED	\$25.00
42A	BST1423002	MAGAZINE CAP RETAINER	3.75
43	U1117473AA	MAGAZINE FOLLOWER	7.50
44	U111747501	MAGAZINE SPRING	3.75
44	U111747701	MAGAZINE SPRING, PRACTICAL	6.25
45	B111623201	MAGAZINE SPRING RETAINER	2.50
46	U111748301	MAGAZINE THREE SHOT ADAPTOR, 12, 3"	7.50
46	U1117481AA	MAGAZINE THREE SHOT ADAPTOR, 12, 3.5"	7.50
47	* B111604002	MAGAZINE TUBE	33.75
47	* U111745802	MAGAZINE TUBE, PRACTICAL, 8-SHOT	98.75
NS	* B111689602	MAGAZINE TUBE RING, PRACTICAL	16.25
51	U1117535E6	OPERATING HANDLE, FIELD, HIGH POLISH	15.00
51	U1117536AN	OPERATING HANDLE, STALKER, MATTE BLACK FINISH	15.00
52	U111754002	OPERATING HANDLE PLUNGER	1.25
53	U111754502	OPERATING HANDLE PLUNGER PIN	1.25
54	U111754401	OPERATING HANDLE PLUNGER SPRING	1.25
55	U1117459FN	PISTON ASSEMBLY, 12, 2.75", PRACTICAL (HEAVY)	73.75
55	U1117460FN	PISTON ASSEMBLY, 2.75", PRACTICAL (LIGHT)	73.75
55	B111605103	PISTON ASSEMBLY, 12, 3" / 3.5", FIELD / PRACTICAL MK I	73.75
55	B1116151FN	PISTON ASSEMBLY, 12, 3" / 3.5", LIGHT FIELD	73.75
55	B111604813	PISTON ASSEMBLY, 3", SPORTING CLAYS (HEAVY)	73.75
55	B111604813	PISTON ASSEMBLY, 3", SPORTING CLAYS (HEAVY)	73.75
NS	B111695802	RECEIVER INSERT	2.50
57	* U111780101	RECOIL PAD	25.00
57	* BST3561101	RECOIL PAD, SPORTING CLAYS	25.00
58	BST76079AJ	RECOIL PAD SCREW	1.25
59	*** U111768102	SAFETY	7.50
60	*** U111768412	SAFETY PLUNGER	2.50
61	*** B111621211	SAFETY SPRING	1.25
62	*** B111620203	SEAR	7.50
63	B111620411	SEAR SPRING	1.25
NS	B111669001	SIGHT BASE, FRONT, DEER / PRACTICAL MK I	12.50
NS	U111735201	SIGHT BASE, FRONT, PRACTICAL MK II	112.50
NS	BST7663001	SIGHT, FRONT, RED FIBER-OPTIC, DEER / PRACTICAL MK I (RETAINED BY DOVETAIL)	16.25
NS	U1117359AJ	SIGHT, FRONT, RED FIBER-OPTIC, PRACTICAL MK II (RETAINED BY PIN)	31.25
NS	U111735401	SIGHT, FRONT, UNIVERSAL TURKEY HUNTER	22.50
64	BST1658001	SIGHT, FRONT, WHITE BEAD, 3 x 56	6.25
64	U111735101	SIGHT, FRONT, WHITE BEAD (OLD STYLE W/RETAINING SCREW)	7.50
NS	U111736501	SIGHT, REAR, DEER / PRACTICAL MK I	30.00
NS	U111736401	SIGHT, REAR, PRACTICAL MK II	227.50
NS	BST3333001	SIGHT, MID-BEAD	1.25
NS	U111735701	SIGHT, REAR, UNIVERSAL TURKEY HUNTER	40.00

REF. NO.	PART NO.	DESCRIPTION	MSRP (US\$)
65	U111755103	SLEEVE BAR ASSEMBLY, 12, 3"	\$11.25
65	U111755003	SLEEVE BAR ASSEMBLY, 12, 3.5"	10.00
66	B111615011	SLEEVE BAR RETURN SPRING	1.25
67	B1116029AE	SLIDE BUFFER	3.75
NS	U111749802	SLING EYELET, FRONT, PRACTICAL	2.50
NS	BST1641003	SLING EYELET, REAR	2.75
NS	B111696202	SLING EYELET (FOR MAGAZINE CAP)	2.75
NS	B111623702	SLING EYELET STOP WASHER (FOR MAGAZINE CAP)	2.75
68	* U111775503	STOCK, 12, DU, SATIN FINISH	60.00
68	* U111774103	STOCK, 12, FIELD, GLOSS FINISH	60.00
68	* U111775603	STOCK, 12, MAGNUM GREEN HEAD (DT)	60.00
68	* U1117763EP	STOCK, 12, MONBU (DT)	60.00
68	* U1117767EP	STOCK, 12, MONBU, NWTG (DT)	60.00
68	* U1117758EN	STOCK, 12, MONSG (DT)	60.00
68	* U1117758F1	STOCK, 12, MOOB (DT)	60.00
68	* U111775204	STOCK, 12, MOSG	60.00
68	* U111774203	STOCK, 12, NWTG, SATIN FINISH	60.00
68	* U111775704	STOCK, 12, DEER / PRACTICAL (DT)	60.00
68	* U1117748F3	STOCK, 12, SC SIGNATURE II, METALLIC BLACK	60.00
68	* U1117748FK	STOCK, 12, SC SIGNATURE RED (DT)	60.00
68	* U111776003	STOCK, 12, SPORTING CLAYS	60.00
68	* U111775103	STOCK, 12, STALKER	60.00
68	* U111775704	STOCK, 12, STALKER (DT)	60.00
68	* U111775004	STOCK, 12, STALKER, NWTG	60.00
69	B111608002	STOCK BOLT NUT	2.50
70	B111607812	STOCK BOLT PLATE	2.50
71	B111608202	STOCK BOLT WASHER	3.75
NS	B111662401	STOCK SHIM, SPORTING CLAYS, #1 (+1/8" DROP, NO CAST)	1.75
NS	B111662601	STOCK SHIM, SPORTING CLAYS, #2 (NEUTRAL DROP, NO CAST)	1.75
NS	B111662801	STOCK SHIM, SPORTING CLAYS, #3 (-1/8" DROP, NO CAST)	1.75
NS	B111663001	STOCK SHIM, SPORTING CLAYS, #1 (+1/8" DROP & +1/8" CAST)	1.75
NS	B111663201	STOCK SHIM, SPORTING CLAYS, #2 (NEUTRAL DROP & +1/8" CAST)	1.75
NS	B111663401	STOCK SHIM, SPORTING CLAYS, #3 (-1/8" DROP & +1/8" CAST)	1.75
72	*** U111767503	TRIGGER	10.00
73	B111620902	TRIGGER / SEAR PIN	1.25
74	*** U111764113	TRIGGER GUARD, STALKER	33.00
74	*** U111764313	TRIGGER GUARD, MOBU	33.00
74	*** U1117642F1	TRIGGER GUARD, MOOB	33.00
74	*** U111764213	TRIGGER GUARD, MOSG	33.00
75	* B111603401	TRIGGER GUARD BUFFER	1.25
76	B111621702	TRIGGER GUARD BUSHING	3.75
77	B111621303	TRIGGER GUARD PIN	2.50
78	B111621801	TRIGGER GUARD PIN RETAINER	1.25

*Indicates part must be fitted by Winchester Repeating Arms Service Department or qualified gunsmith.

***Factory replacement only. Firearm must be returned. (DT) Denotes Dura-Touch Armor Coating

+Part may be purchased only by holders of current, valid Federal Firearms License.

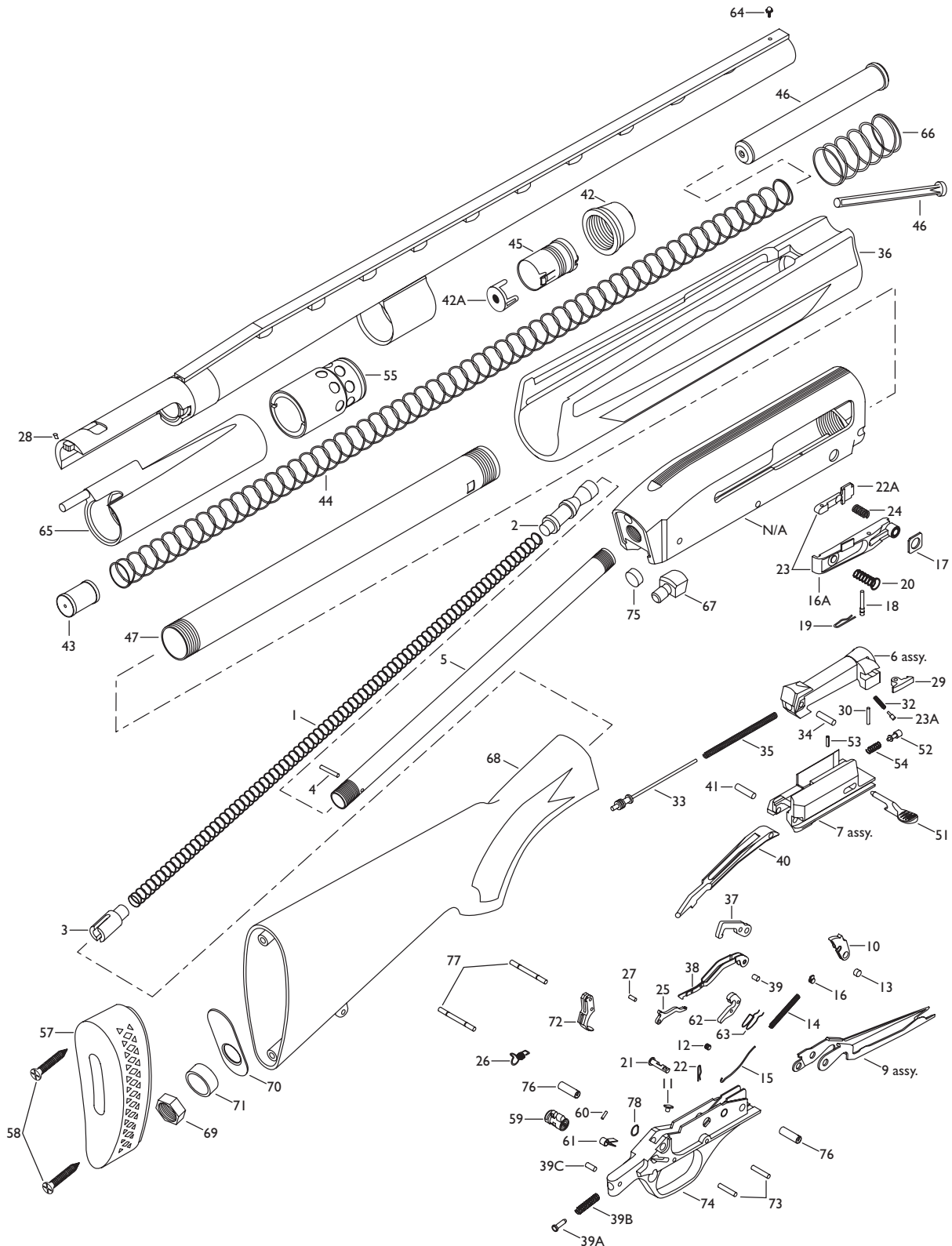
NOTE: Unless otherwise indicated, part is interchangeable between gauges/calibers.

12 Gauge Autoloading Shotgun



SUPER X[®] 2

NOTE: WHEN ORDERING PARTS USE THE PART NUMBER AND NOT THE SCHEMATIC REFERENCE NUMBER.



Schematic is provided for parts identification only and should not be used as a guide to assemble guns.
CAUTION: Winchester parts are not recommended for use in other guns though models may be similar.
Inadequately fitted parts may be dangerous.